



# NL5 Circuit Simulator

## ideal simulation for real design

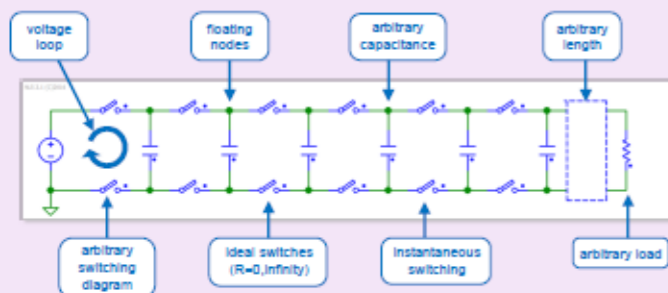


### evaluate

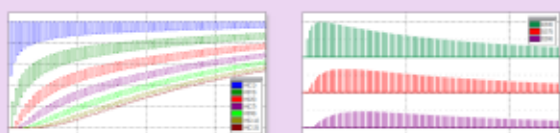
## CONCEPT

- ideal components, PWL models
- arbitrary topology
- fast design iteration

Not any circuit simulation tool can work with ideal components. This looks like a very simple circuit to simulate, however it is not...



...and only NL5 can simulate it correctly:



### simulate

## ANALOG

- fast and robust simulation
- no convergence problems
- powerful post-processing



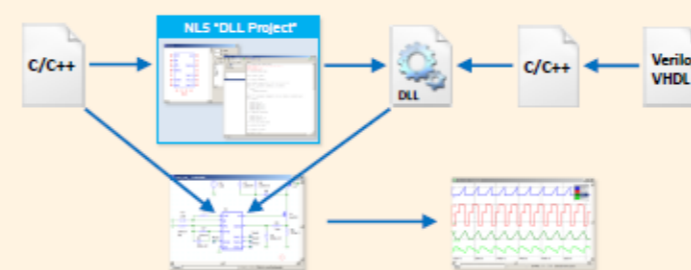
Present results in the desired format



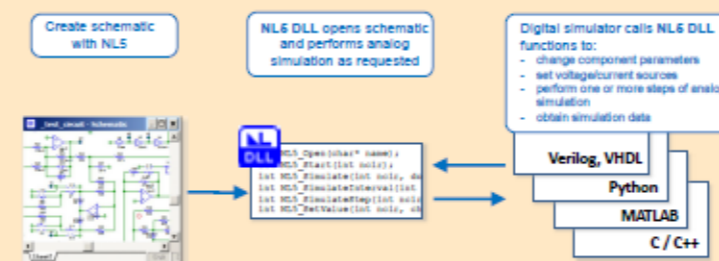
### verify

## DIGITAL

- co-simulation with digital simulators
- C and DLL blocks
- automatic DLL build



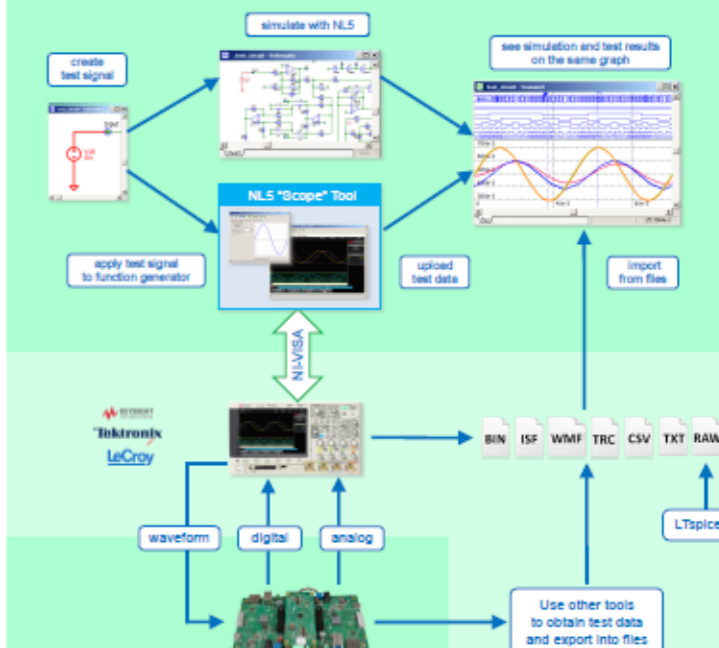
**NEW** Use NL5 DLL for co-simulation with digital simulation tools



### test

## PROTOTYPE

- generate test signals
- download oscilloscope data
- compare with simulation



Our customers



Simplicity is a great virtue but it requires hard work to achieve it and education to appreciate it. And to make matters worse: complexity sells better.  
Edger W. Dijkstra, computer scientist